

# auto electrical parts

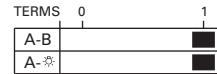
## Technical Information Sheet

### Part No. 0-690-55

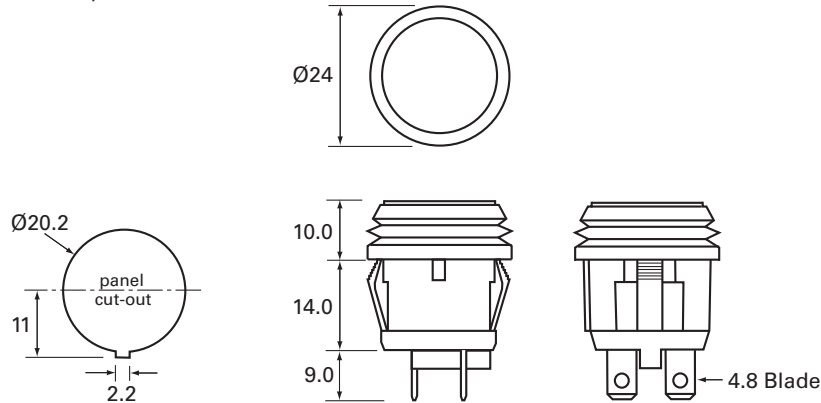
On/off, push-push single pole switch, 12/24 volt red LED indicator with 4.8mm blade terminals. Snap fits into 20mm diameter panel hole. 20 amp at 12 volts DC rating and 10 amp at 24volts DC rating.

### Additional Information

- Terminal 1 - Supply +ve
- Terminal 2 - Switched load
- Terminal 4 - Ground -ve



### Technical Drawing (not to scale)



### Specification

Type	Single pole 2 position on/off push-push switch with LED indication
DC current rating	20 amps at 12 volts and 10 amps at 24 volts
LED	Red
LED current @ 12 volts	7mA
Terminals	4.8mm lucar blade
Temperature range	-20°C to 85°C
Contact resistance	$\geq 50m\Omega$
Electric strength	500vdc/1000vac
Insulation resistance	$\leq 100M\Omega$
Material	Nylon
Panel cut-out	20mm
Panel depth	0.7 to 3.0mm
Protection	IP56
Weight	10g
Dimensions	$\varnothing 24 \times h 33mm$ (including terminals)

The information contained in this document is correct to the best of our knowledge at the time of printing. However, specifications may change at any time without notice.